

GESR-4513 Full Extension Slide

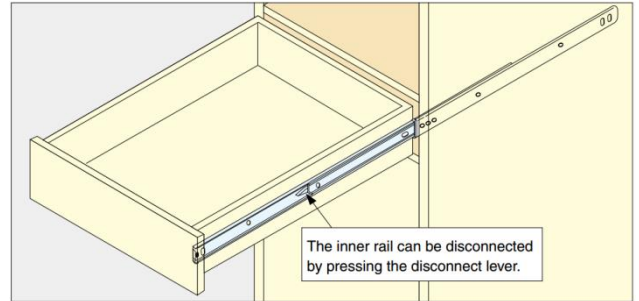
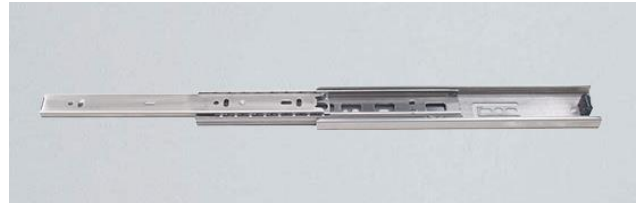
Max load 52kg · Holds closed · Detachable

Features

- Full extension
- Front disconnect
- Positive stop
- Hold-in detent

Recommended Screws

- Mount with M4 or #8 Binding, Pan, or Truss head screws



No.	Part Name	Material
①	Outer Rail	Stainless Steel (304)
②	Inner Rail	
③	Retainer	
④	Intermediate Member	
⑤	Balls	



Sold in pairs

Part No.	Slide Length	Travel Length	A	B	C	D	E	F	G	H	I	Load Rating (pair)
GESR-4513-10	250	243					192	-			-	52 kg
GESR-4513-12	300	305					242		-			50 kg
GESR-4513-14	350	355			-		292					49 kg
GESR-4513-16	400	406	-				342		320			47 kg
GESR-4513-18	450	457		-			392		352			46 kg
GESR-4513-20	500	508			320		442	224	416		128	44 kg
GESR-4513-22	550	559				416	492			448		43 kg
GESR-4513-24	600	610					542			480		42 kg
GESR-4513-26	650	660	224		416		592		352			41 kg
GESR-4513-28	700	711		288		544	642			544		40 kg